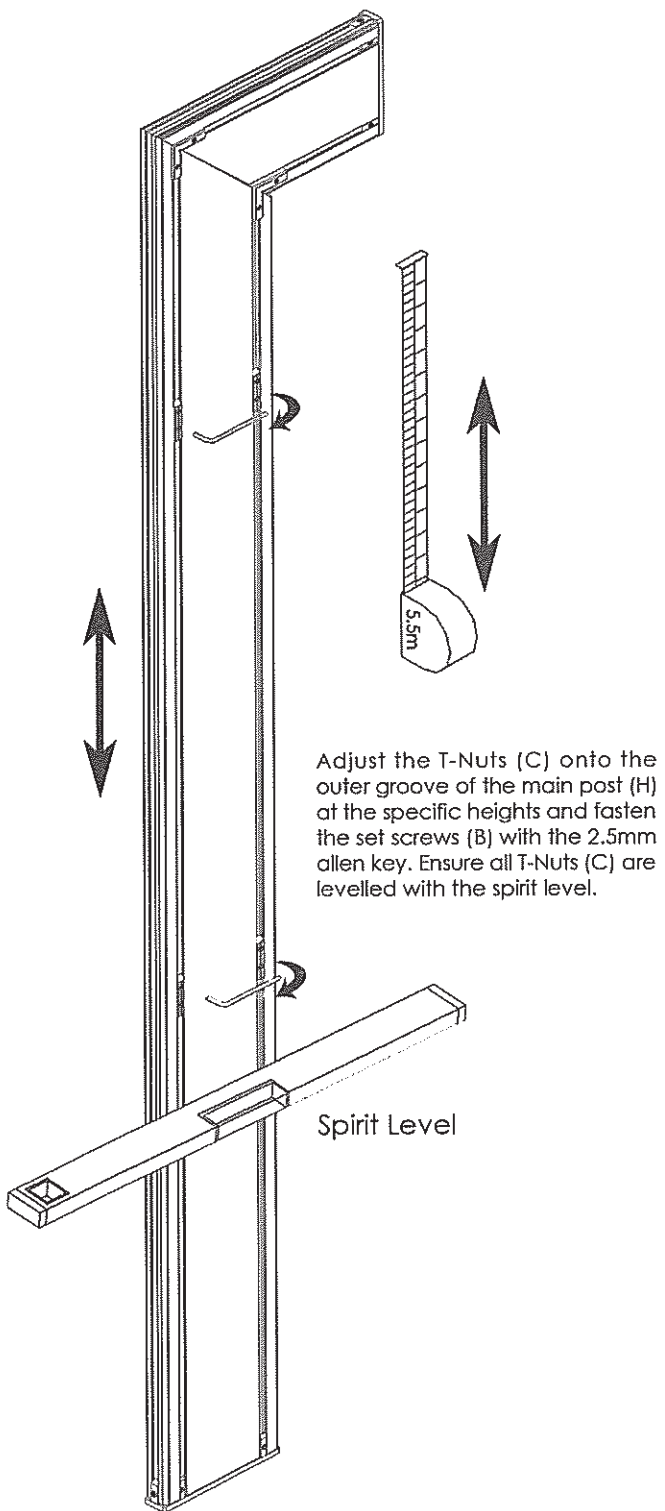


Modu-home.com Installation Guide-Shelf

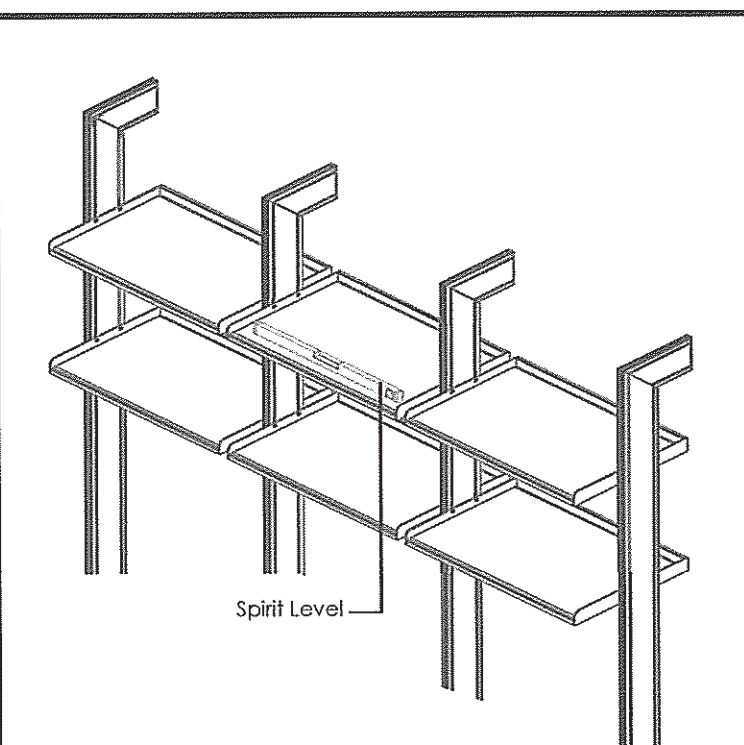
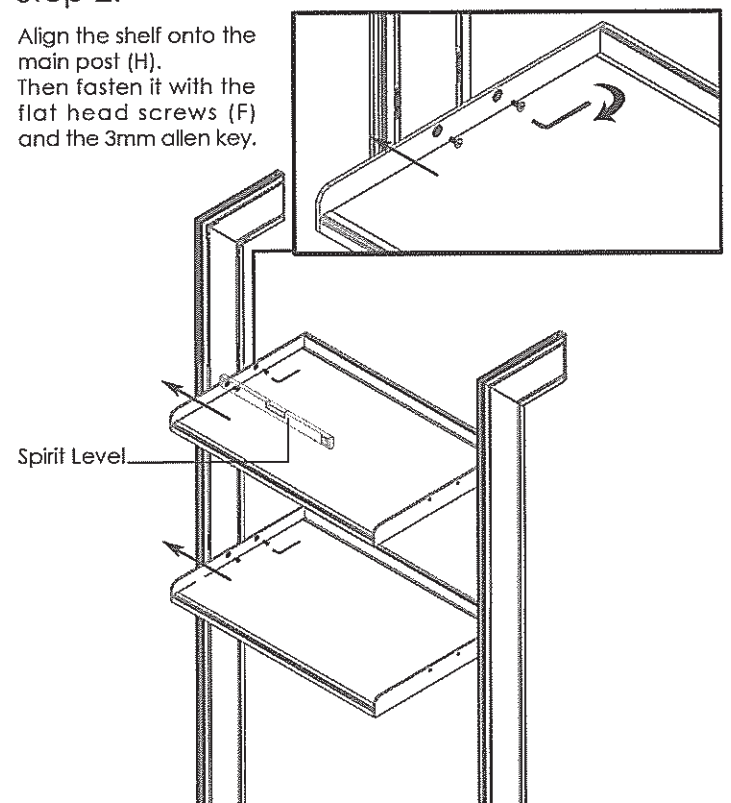
Installation of Shelf:

Step 1:

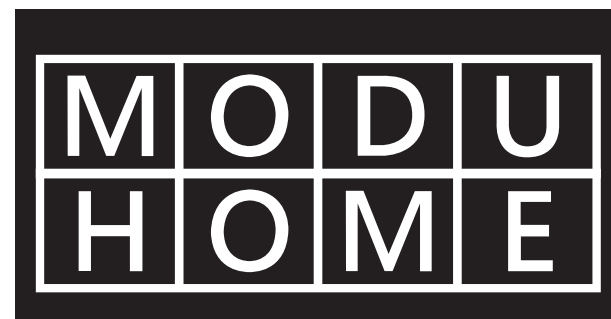


Step 2:

Align the shelf onto the main post (H). Then fasten it with the flat head screws (F) and the 3mm allen key.



After completing the installation, ensure that the shelves are horizontal by using the spirit level.



Installation Guide

Visit us at www.Modu-home.com for more information

Visit us at www.Modu-home.com for more information

