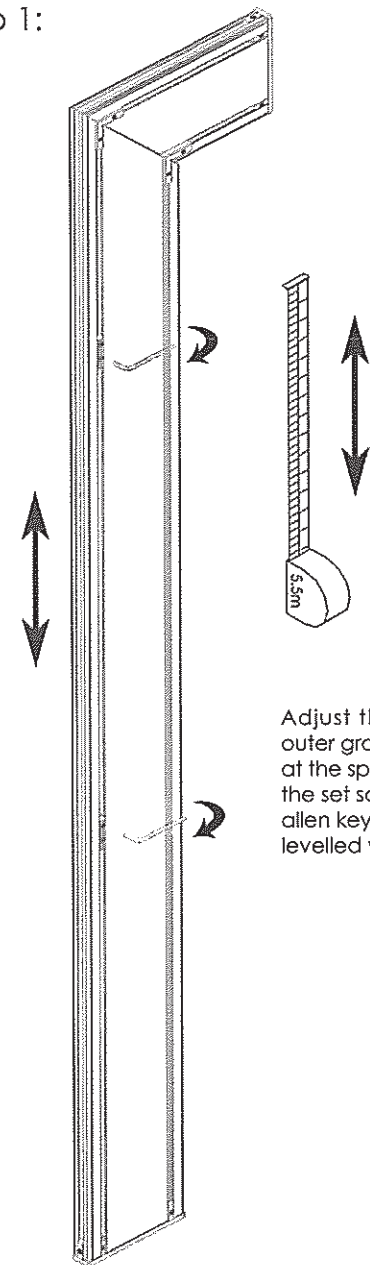


Modu-home.com Installation Guide-Hanger Bar

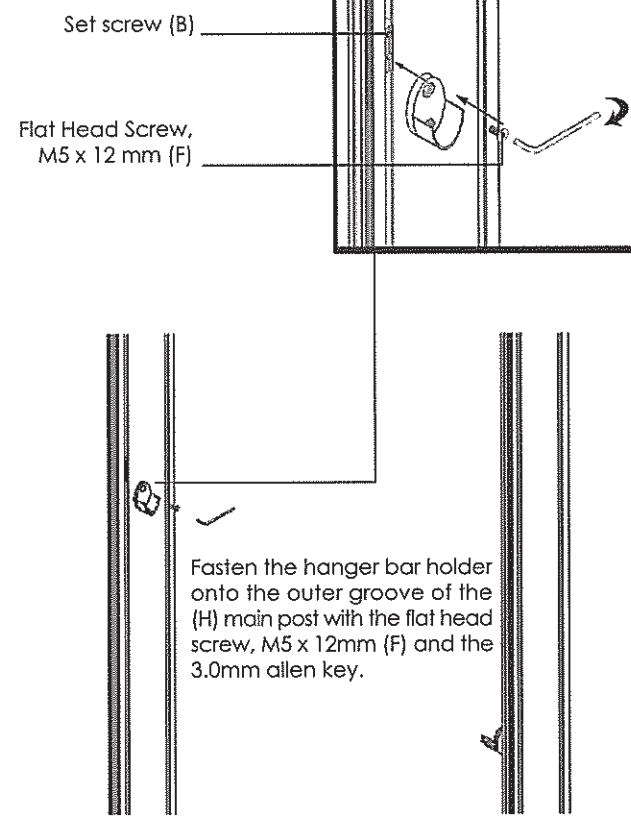
Installation of Hanger Bar:

Step 1:



Adjust the T-Nuts (C) onto the outer groove of the main post (H) at the specific heights and fasten the set screws (B) with the 2.5mm allen key. Ensure all T-Nuts (C) are levelled with the spirit level.

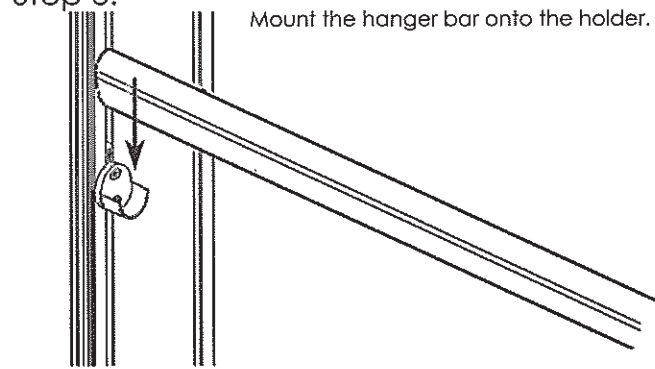
Step 2:



Set screw (B)
Flat Head Screw,
M5 x 12 mm (F)

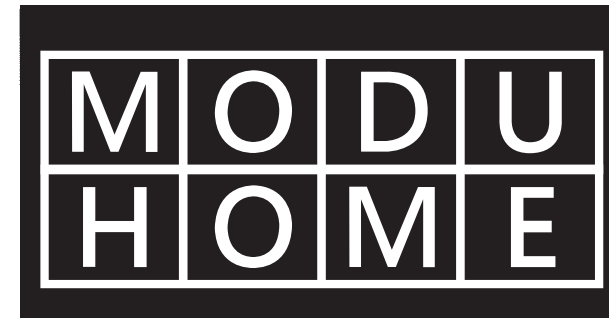
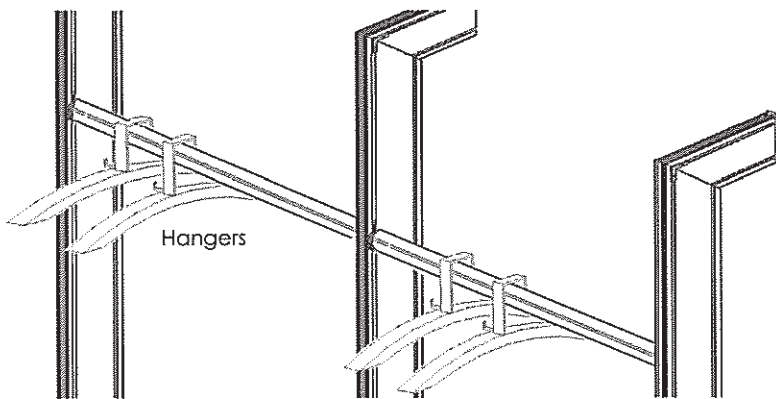
Fasten the hanger bar holder onto the outer groove of the (H) main post with the flat head screw, M5 x 12mm (F) and the 3.0mm allen key.

Step 3:



Mount the hanger bar onto the holder.

Completion of installation.



Installation Guide

Visit us at www.Modu-home.com for more information

Visit us at www.Modu-home.com for more information

