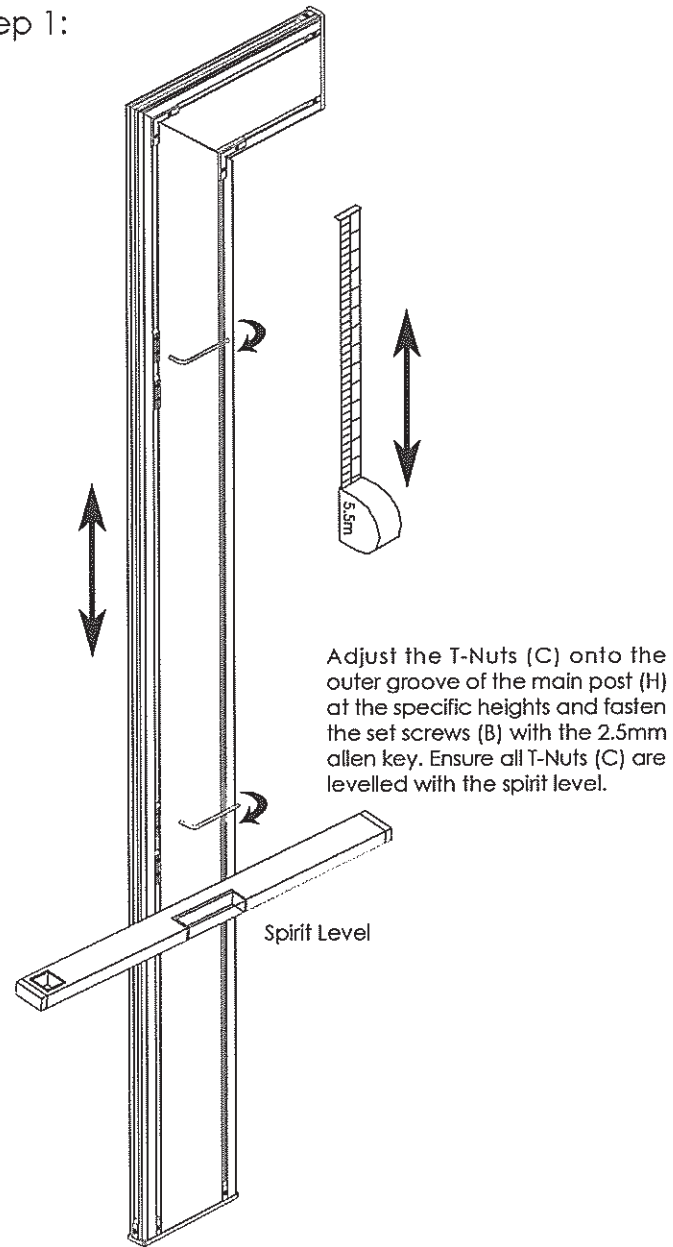


Modu-home.com Installation Guide-Drawer/Cabinet

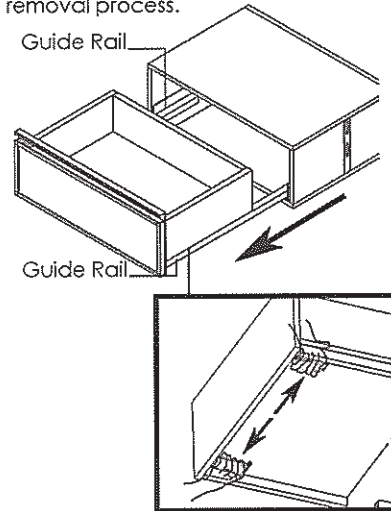
Installation of Drawer / Cabinet Unit:

Step 1:



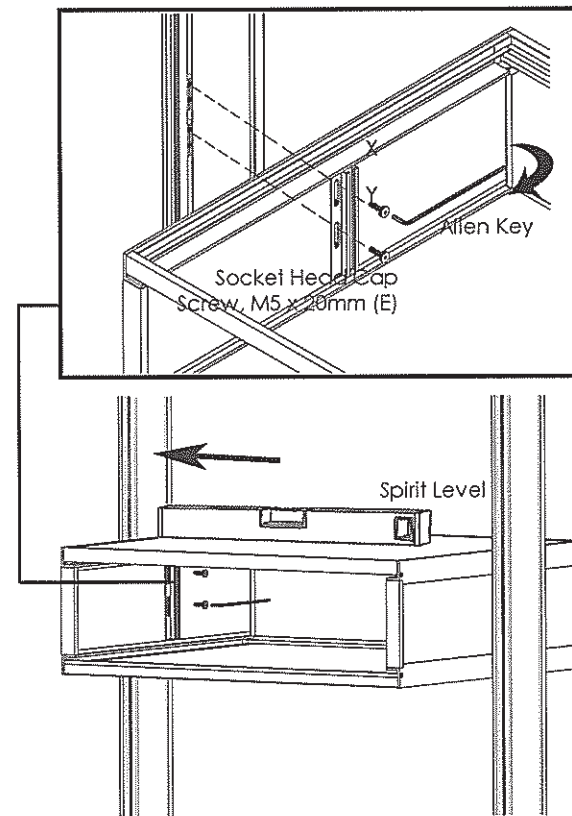
Step 2 (For Drawer Unit only):

Before installation, remove the drawer from its guide rails by pressing on the guidelocks underneath. Drawer must be pulled out horizontally & do not lift the drawer up in the removal process.



Step 3:

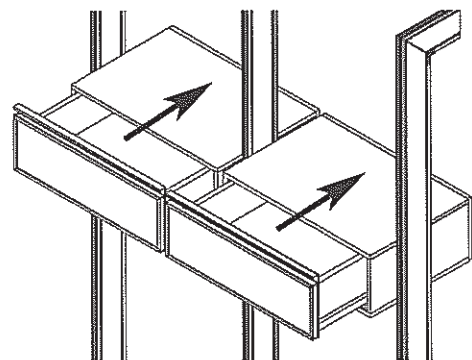
Position the casing then secure with the socket head cap screw, M5 x 20mm (E) with the 4.0mm allen key at points 'X' & 'Y'.



Ensure that the casing is levelled with the spirit level.

Step 4 (For Drawer Unit only):

Slot in the drawer into its casing, allowing it to rest on the guide rails and installation is completed.



Installation Guide

Visit us at www.Modu-home.com for more information

Visit us at www.Modu-home.com for more information

